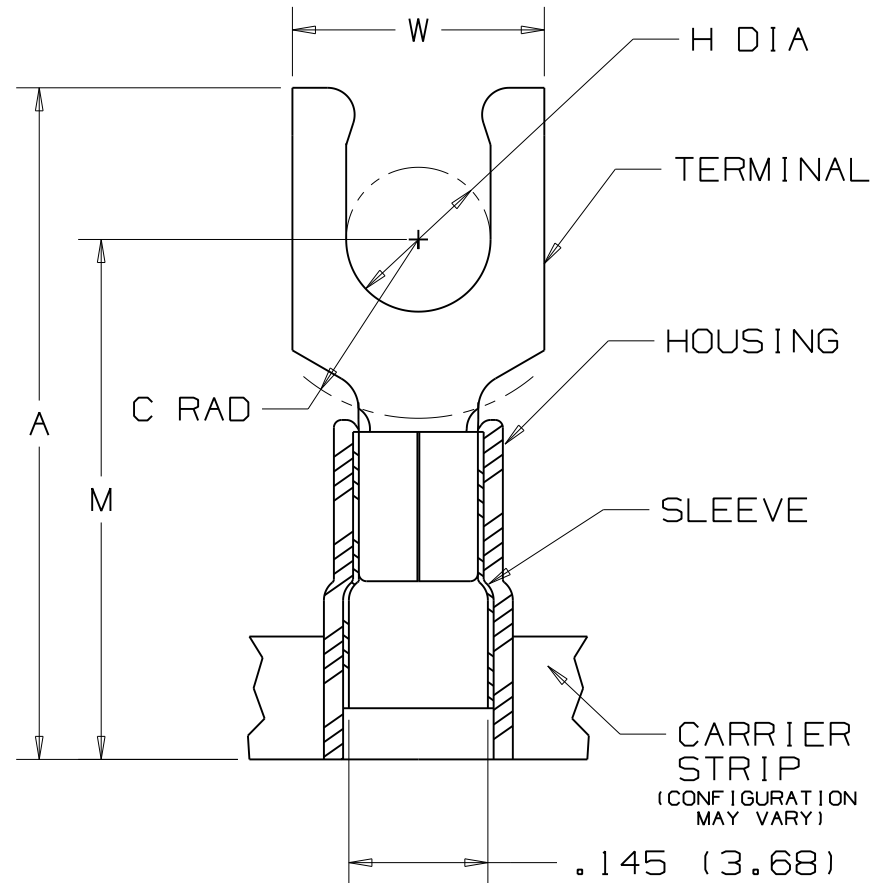


PANDUIT PART NUMBER	STUD SIZE	DIMENSIONS in.				
		A $\pm .020$	W $\pm .010$	C $\pm .015$	M $\pm .020$	H $\pm .010$
PN18-6LF-3K	#6	.82 (20.82)	.27 (6.9)	.19 (4.82)	.63 (16.00)	.15 (3.81)
PN18-8LF-3K	#8	.89 (22.61)	.29 (7.37)	.23 (5.84)	.68 (17.27)	.16 (4.06)
PN18-10LF-3K	#10	.89 (22.61)	.33 (8.38)	.23 (5.84)	.68 (17.27)	.19 (4.83)

NOTES :

- UL LISTED AND CSA CERTIFIED FOR:
 - 600 V MAX. VOLTAGE RATING (1000V. MAX. IN SIGNS, FIXTURES & LUMINARIES)
 - 221°F (105°C) MAX. TEMP. RATING OF INSULATION MATERIAL
 - #22-18 AWG (0.5-1.5 mm²) SOLID OR STRANDED COPPER WIRE
- PACKAGE QTY. : 3K = 3000 PCS.
CONTINUOUS MOLDED CARRIER STRIP
- MATERIAL:
 - STAMPING - .03" THICK COPPER, TIN PLATED
 - HOUSING - RED NYLON
 - SLEEVE - BRASS, TIN PLATED
- WIRE STRIP LENGTH: $7/32^{+1/32}_{-0}$ (5.6^{+0.8}₋₀)
- DIMENSIONS IN BRACKETS ARE IN MILLIMETERS
- INSTALLATION TOOLS :
 - PRESSES - CP-851, CP-860, CP-861
 - APPLICATOR - CA-800
 - DIE INSERTS - CD-800-1



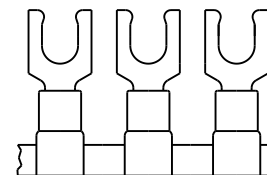
.145 (3.68)
MAX WIRE
INSUL DIA
.080 (2.03)
MIN. WIRE
INSUL DIA.



LISTED
587H
E52164



CERTIFIED
LR31212



A41103

				PANDUIT CORP. TINLEY PARK, ILLINOIS							
				TERMO 3PC. CONTINUOUSLY MOLDED NYLON INSULATED, 22-18 BARREL, LOCKING FORKS							
08	3/10	SRB	Changed "W" dimension for PN18-6LF-3K	ECN #	PM	CUST					
REV	DATE	BY	CHK	DESCRIPTION	ECN #	PM	CUST	DRAWN BY GRM	CHK'D	SCALE NONE	DRAWING NO. A41103